

Features

- Patented Aluminum Front Panel with Locks, Taiwan: 200281 / 190240 , China: 2L01259648.5
- Front Access USB2.0 x2
- 80mm x1 cooling fan
- Removable Air Filter
- Power and HDD LED
- Power and Alarm Reset Switch
- I/O shield
- Optional Aluminum Chassis

Introduction

The 2U compact industrial rackmount chassis is the D-Storm D-200. The full size I/O supports all ATX sized motherboards. Combined with iStarUSA T-7 Hot-swappable cage for raid configuration, the D-200 provides your server or cluster maximum flexibility and performance. It also supports 3 add-on cards including PCI, PCI-X, AGP, or PCI-Express architecture. Optional Aluminum Body reduces total chassis weight and also provides enhanced thermal cooling solution.

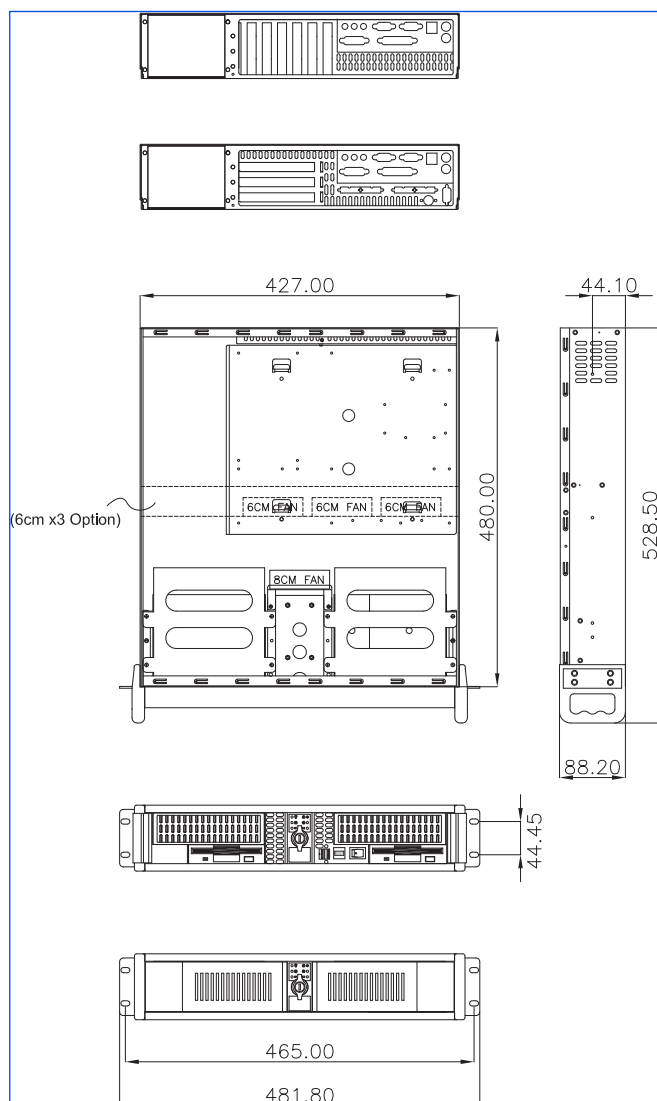


Specifications

Form Factor	2U
Mainboard Size(in)	12 x 10
Cooling Fan [optional]	1x80mm [1x60mm]
Standard Drive Bays	3.5" Drive: 2 5.25" Drive: 2
Color of Main Chassis	Black
Material	1.2mm SECC Zinc-Coated Steel (Japan Made)
Material of Front Bezel	Aluminum alloy
Material of Handle	SECC Zinc-Coated Steel
Indicators	LEDs for Power ON/OFF, HDD, Fan & Alarm
Expansion Slots	3
Front Connector	Front USB 2.0 x 2 Connector
Switches	Power ON/OFF, System & Alarm Reset
Dimension (W x H x D)	19 x 3.5 x 20.8 inches
Air Filter	Removable & Washable
Security	Front Bezel
Color of Front Bezel	Black / Red / Blue / Silver / Gold



Drawing



Accessories

Model #	Description
BPU-124V2-SS	1 x 5.25" to 4 x 2.5" SATA/SAS 6.0 Gb/s Hot-Swap Cage
BPU-126-SA	1 x 5.25" to 6 x 2.5" SATA 6.0 Gb/s Hot-Swap Cage
BPU-2535-SI	1 x 3.5" to 1 x 2.5" SATA I/II Hot-Swap Drive Cage
BPU-2535V2	1 x 3.5" to 2 x 2.5" SATA I/II Hot-Swap Drive Cage
DD-Fan60	60mm Ball Bearing Fan
RHF-03	3.5" to 5.25" Hard Drive Mounting Bracket
RP-4HDD25F	2.5" Hard Drives Slot Bracket
RP-COMBO-SLIM	5.25" Optical Drive and Floppy Drive Cage Holder
RP-Combo-Slim2535	2.5"/ 3.5" HDD & Slim Optical Drive to 5.25" Drive Bay Cage
RP-FDD35	3.5" to 5.25" Floppy Drive Mounting Bracket
RP-HDD2.5	2.5" to 3.5" Hard Drive Mounting Bracket
RP-HDD2535F	5.25" Drive Bay Cooling System for Hard Drive
RP-HDD25BC	2.5" HDD SSD Mounting Bracket for 3.5" Bay
RP-HDD3.5	3.5" to 5.25" Hard Drive Mounting Bracket
RP-HUB-SAUF	3.5" Combo Hub for USB2.0/ Firewire/ e-SATA
RP-Reader35	All-in-one USB 2.0 Card Reader
T-25HD-SI	2.5" SATA I/II Hard Drive Slot Carrier
T5F-SS	1x5.25" Bay Trayless Anti-vibration SAS/SATA Mobile Rack
T5PF-SA	1 x 5.25" Bay Trayless Anti-vibration SATA Mobile Rack
T5-SA	1x5.25" Bay Trayless Anti-vibration SATA Mobile Rack
T-7M1-SATA	1x5.25" Bay Audio SATA/SAS 6.0 Gb/s Mobile Rack
T-7-SA	1x5.25" Bay Military Series SAS/SATA 6.0Gb/s Mobile Rack
TC-iStorm8	1x5.25" Hard Drive Cooling Heat Sink
TC-Rail-20	20" Sliding Rail Kit for Most Rackmount Chassis
TC-Rail-24	24" Sliding Rail Kit for Most Rackmount Chassis
TC-Rail-26	26" Sliding Rail Kit for Most Rackmount Chassis

Power Supply

Model #	Description
CP-01015	150W 1U Switching Power Supply
CP-01020	200W 1U Switching Power Supply
CP-01025	250W 1U Switching Power Supply
CP-01030	300W 1U Switching Power Supply
CP-01035	350W 1U Switching Power Supply
CP-01040	400W 1U Switching Power Supply
CP-02035	350W 2U Switching Power Supply
CP-02040	400W 2U Switching Power Supply
CP-02046	460W 2U Switching Power Supply
IS-350R2UP	350W 2U Redundant Power Supply
IS-400R2UP	400W 2U Redundant Power Supply
IS-460R2UP	460W 2U Redundant Power Supply
IS-500S2UP	500W 2U Redundant Power Supply
IS-600S2UP	600W 2U Redundant Power Supply
IS-700S2UP	700W 2U Redundant Power Supply
TC-2U55P	550W 2U Switching Power Supply