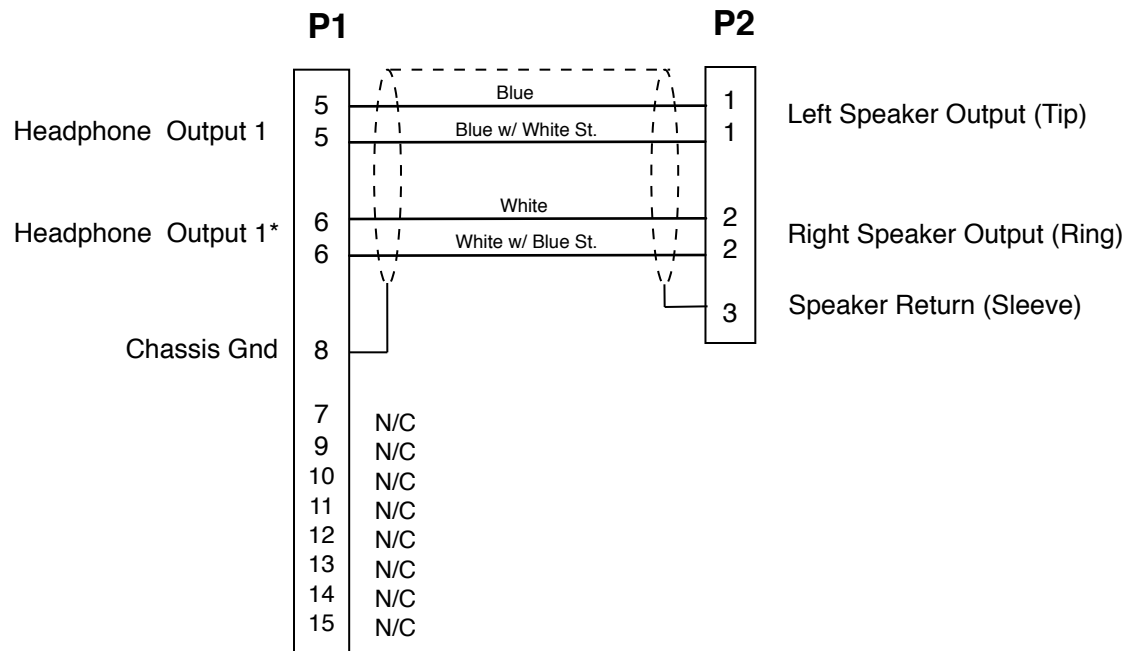
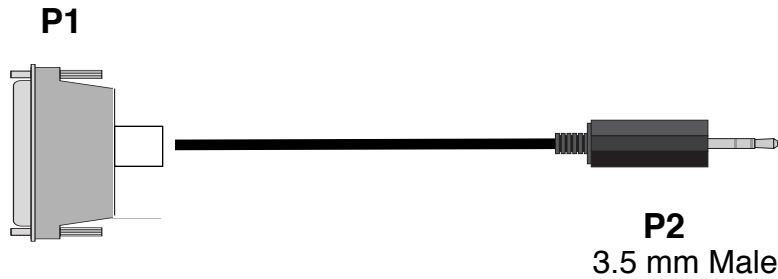


P/N: CA-D15M-P3M-L-A_02

Length in Feet



Assembly Notes

(1) P1: Male, metal, DB-15 connector. Includes metal chrome backshell, strain relief & male screwlock assembly.

(2) P2: Male, TRS 3.5mm stereo mini jack, strain relief.


(3) Cable: Low capacitance, individually shielded, star quad, high flex, audio cable. Belden P/N: 1192A

(4) Cable Length specified by value of L in P/N. Units are in feet.

(5) Wire as shown in schematic - note drain wire connections.

(6) Multiple conductor connections designated by repeat pin numbering

| Rev | Date | Originator | Description |
|-----|----------|------------|--|
| 01 | 03-07-05 | NAK | Original |
| 01 | 02-22-10 | NAK | Corrected male designation in the Assembly Notes |
| | | | |
| | | | |
| | | | |

| | | |
|---|---|--|
|  | | ADVANCED SIMULATION TECHNOLOGY inc. 500A Huntmar Park Drive, Herndon, VA 20170 www.asti-usa.com |
| Cage Code | OVFW3 | |
| Title | Audio Interface Cable, - Iris to PC Speaker | |
| Dwg # | CA-D15M-P3F-L-A_02 | |
| Sheet | 1 of 1 | |