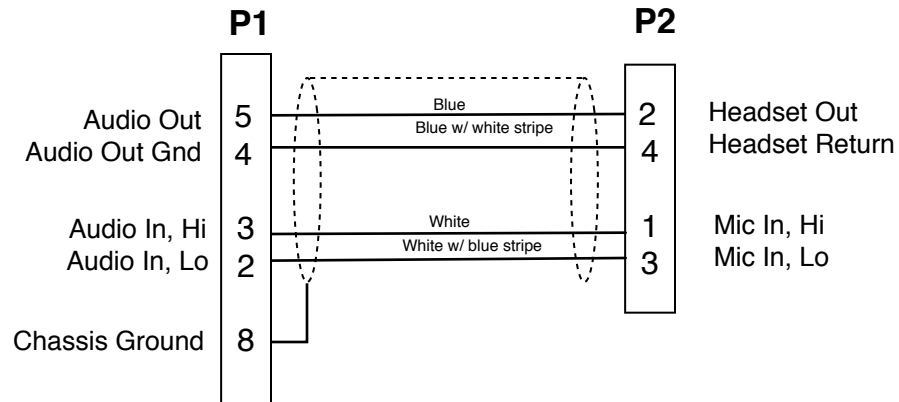


P/N: CA-D15M-TJ101-L-A_02

Length in Feet




Application: David Clark H10-76 headset to ACU

Assembly Notes

- (1) P1: Male, metal, DB-15 connector. Includes metal chrome backshell, strain relief & male screwlock assembly.
- (2) P2: Nexus TJ-101
- (3) Cable: Low capacitance, star-quad, high flex, audio cable. Belden P/N: 1192A
- (4) Cable Length specified by value of L in P/N. Units are in feet.
- (5) Wire as shown in schematic - note drain wire connections.

Rev	Date	Originator	Description
01	06/18/09	NAK	Original Release
02	08/08/11	NAK	Changed P1 description to "D15" in Assembly Notes

		ADVANCED SIMULATION TECHNOLOGY inc. 500A Huntmar Park Drive, Herndon, VA 20170 www.asti-usa.com
Cage Code	OVFW3	
Title	Audio Interface Cable, - ACU to TJ-101	
Dwg #	CA-D15M-TJ101-L-A_02	
Sheet	1 of 1	