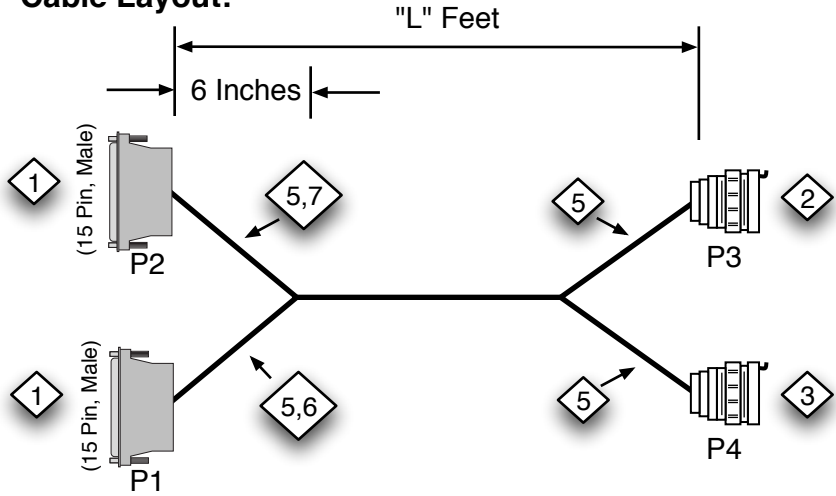
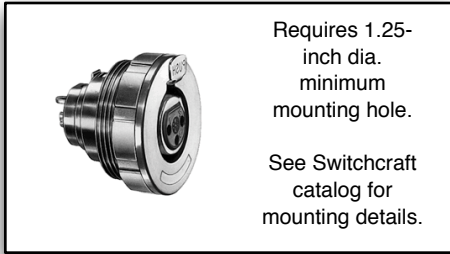


Cable Layout:



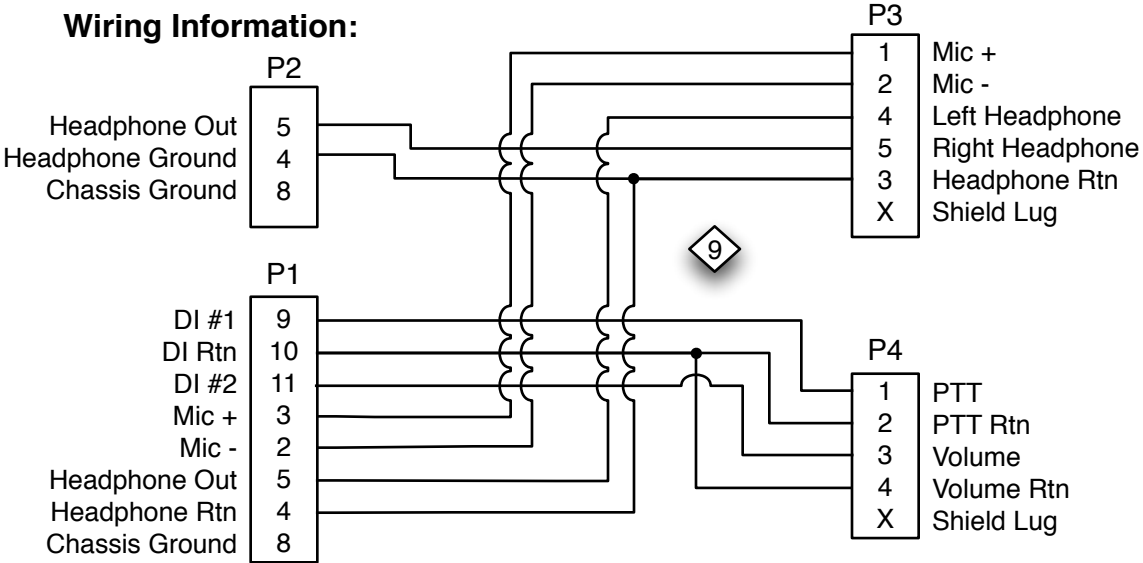
Switchcraft B*F Connectors



Notes:

1. DB-15 Male. Use high quality supplier such as AMP or equivalent. Apply strain relief.
2. Switchcraft B5F female panel-mount
3. Switchcraft B4M male panel-mount
4. Use low capacitance, shielded, twisted pair, high flex audio cable, Canare MR202-4AT
5. Apply black nylon flex braided sleeving
- 5a. Apply heatshrink at Y splits for strain relief.
6. Apply label "IRIS Channel A" with clear heatshrink.
7. Apply label "IRIS Channel B" with clear heatshrink.
8. Wiring and cable layout as shown.
9. Tie shields to their respective Shield lug or Chassis Ground Pin for each connector.

Wiring Information:



Rev	Date	Originator	Description
01	09-05-06	NAK	original release
02	04-15-09	CJA	Added information table

ADVANCED SIMULATION TECHNOLOGY inc.
500A Huntmar Park Drive, Herndon, VA 20170
www.asti-usa.com

Cage Code	OVSFW3
Title	Dual IRIS Audio Out to Stereo Headset & PTT
Dwg #	CA-D15M-Y-D15M-X4MP-Y-X5FP-L-A_02
Sheet	1 of 1

Industry connector Sub Group	ASTi Part Number Sub Group	Source Device	ASTi Part Number	Current Revision Number	Description & Case Use	Special Notes
DB15	D15*	ACU, ACU2	CA-D15M-Y-D15M-X4MP-Y-X5FP-L-A	02		