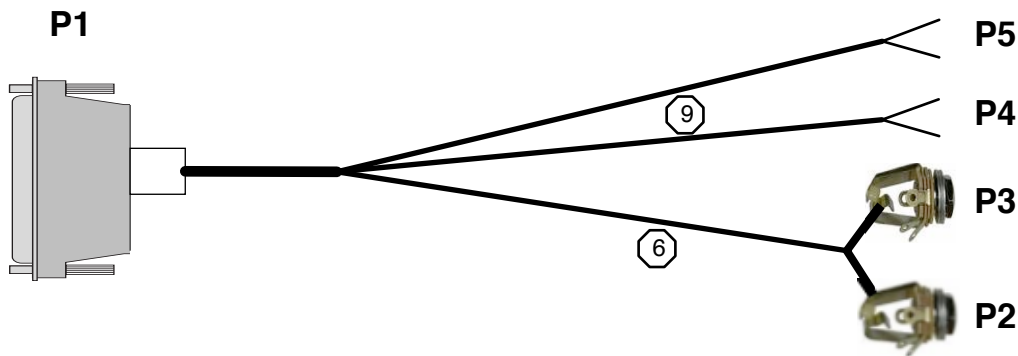
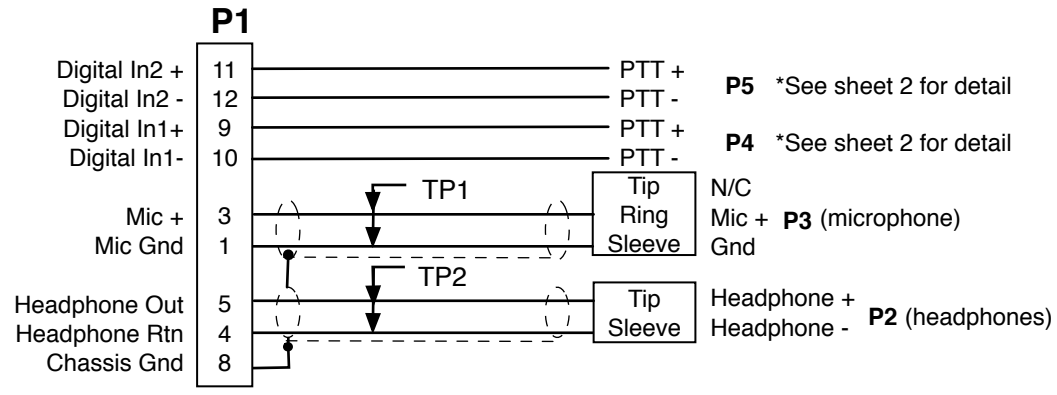



Length in Feet



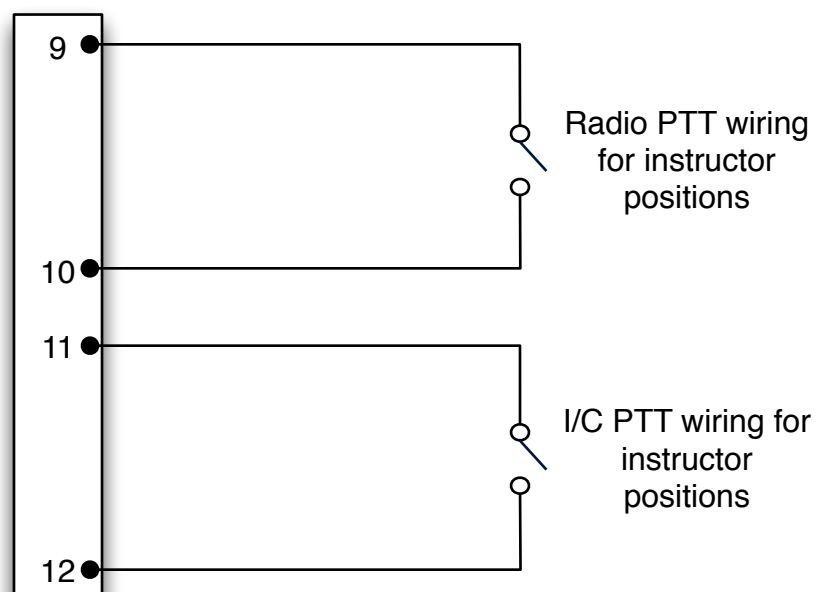
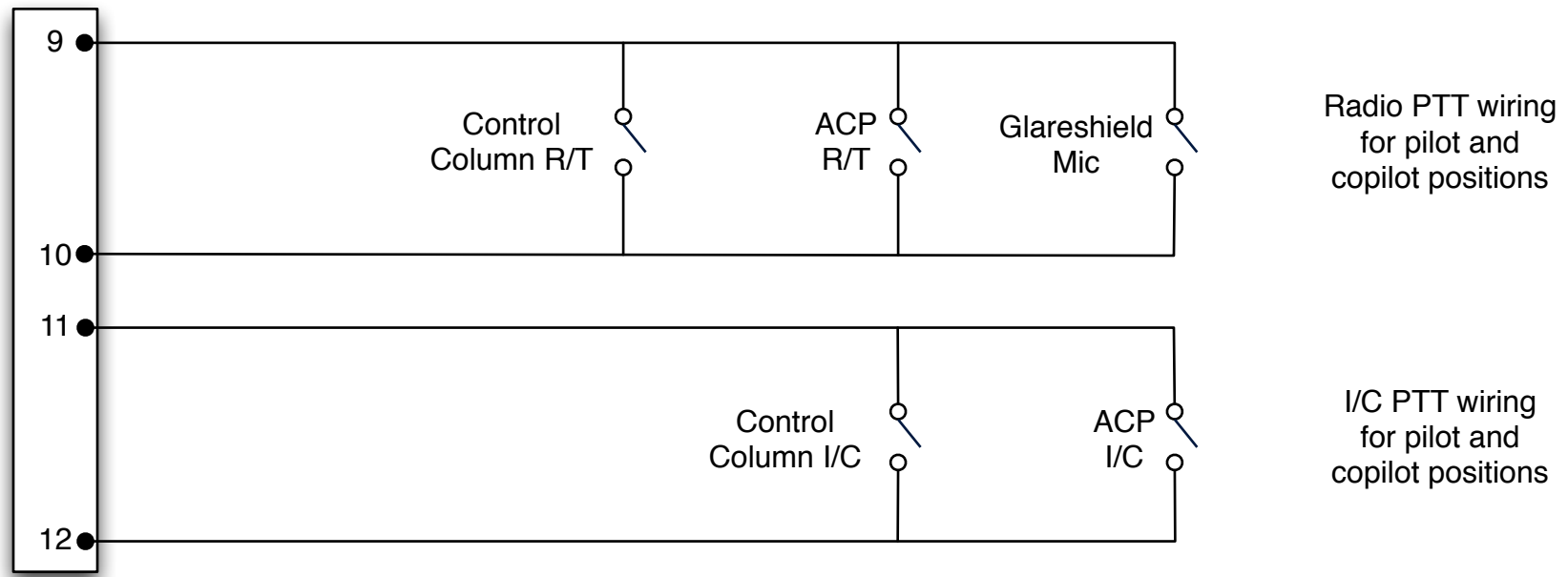
Assembly Notes
 (1) P1: DB-15, use high quality supplier such as AMP or equivalent.
 (2) P2: Use Switchcraft 0.25" type 11 2-pole chassis mount jack socket
 (3) P3: Use Switchcraft 0.206" type S12B 3-pole chassis mount jack socket
 (4) P4: Bare wires shown for PTT
 (5) P5: Bare wires shown for PTT
 (6) Use 1192A star quad cable. Pair 1 (TP1) Blue and Blue w/ White-stripe, pair 2 (TP2) White and White w/ Blue stripe
 (7) Cable Length "L" specified by installation requirements.
 (8) Tie ALL shields to Pin 8 at the D15 end. Pairs must be connected as shown.
 (9) Use control grade cable for PTT connections.




Rev	Date	Originator	Description
01	03-07-05	NAK	Original
02	04-17-09	CJA	Added Information Table, converted to graffle

		ADVANCED SIMULATION TECHNOLOGY inc. 500A Huntmar Park Drive, Herndon, VA 20170 www.asti-usa.com
Cage Code	OVFW3	
Title	Audio Cable to IRIS to Airman 750 and dual PTT	
Dwg #	CA-D15M-Y-Q2M-Q3M-2BW-2BW-L-A_02	
Sheet	1 of 2	

PTT Wiring Details



		ADVANCED SIMULATION TECHNOLOGY inc. 500A Huntmar Park Drive, Herndon, VA 20170 www.asti-usa.com
Cage Code	OVFW3	
Title	Audio Cable to IRIS to Airman 750 and dual PTT	
Dwg #	CA-D15M-Y-Q2M-Q3M-2BW-2BW-L-A_02	
Sheet	2 of 2	

Industry connector Sub Group	ASTi Part Number Sub Group	Source Device	ASTi Part Number	Current Revision Number	Description & Case Use	Special Notes
DB15	D15*	ACU, ACU2	CA-D15M-Y-Q2FP-Q2FP-2BW-2BW-L-A	02		