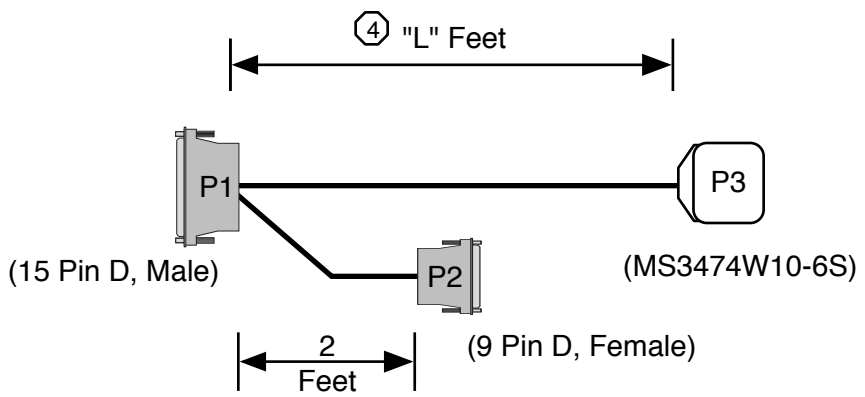
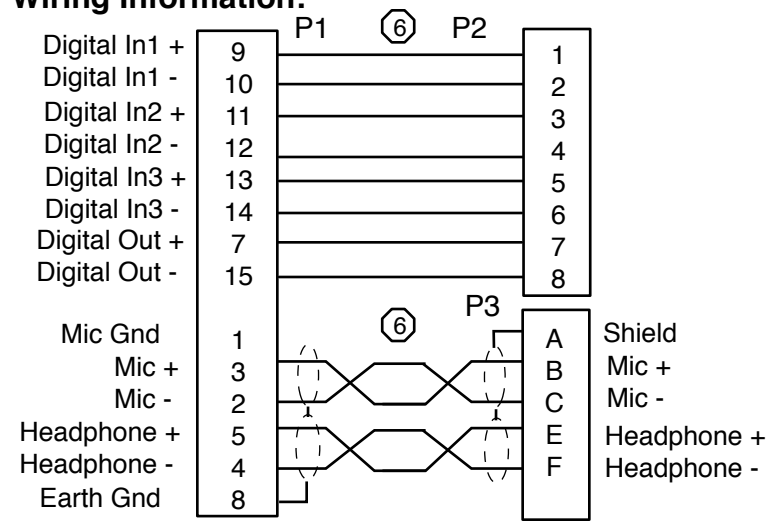


## Cable Layout: ⑤



## ⑤ Wiring Information:



## Parts List:

Item	Qty	Reference	P/N	Mfg	Description	Notes
1	1	P1	XXX-XXXX	XXXXXXX	15-pin Male D-shell	1
2	1	P2	XXX-XXXX	XXXXXXX	9-pin Female D-shell	1
3	1	P3	MS3474W10-6S	ITT	Mil Circular, Jam Nut Version	7
4	AR	-			Audio Cable	3
-	-	-				

## Notes:

- ① Use high quality supplier such as AMP or equivalent.
- ② Use Neutrik or equivalent. Mating connector is Neutrik.
- ③ Use low capacitance, shielded, twisted pair, high flex audio cable.
- ④ Cable length "L" defined by length field of part number ordered
- ⑤ Wiring and cable layout as shown.
- ⑥ Individually shielded twisted pair configuration as shown. Straight or twisted pair cable may be used for Digital I/O Connections.
- ⑦ Panel Mount Jam Nut Version Mil Circular Connector Supplied by customer

Rev	Date	Originator	Description
01	5-5-04	JPM	Original release
02	5-20-04	JPM	Correct Item 2 connector description
03	4-07-05	NAK	Flipped P2, P3 labels in wiring diagram
04	4-20-09	CJA	Added Information Table

**ADVANCED SIMULATION TECHNOLOGY inc.**  
500A Huntmar Park Drive, Herndon, VA 20170  
www.asti-usa.com

Cage Code	OVSFW3
Title	Audio Cable IRIS to Footswitch & Headset
Dwg #	CA-D15M-Y-S16F-D9F-L-A_04
Sheet	1 of 1

Industry connector Sub Group	ASTi Part Number Sub Group	Source Device	ASTi Part Number	Current Revision Number	Description & Case Use	Special Notes
DB15	D15*	ACU, ACU2	CA-D15M-Y-SF16-D9F-L-A	04		