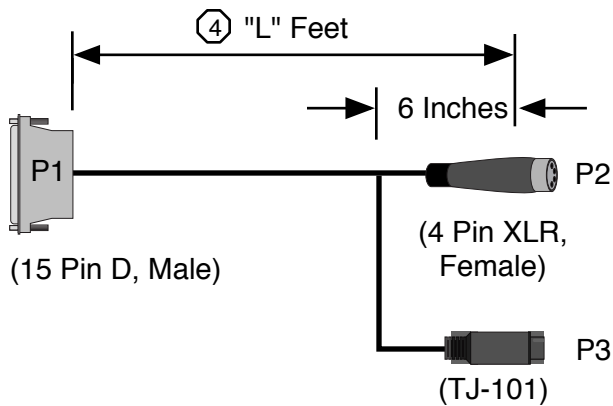


## Cable Layout: <sup>⑤</sup>



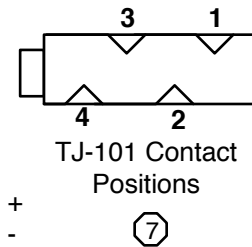
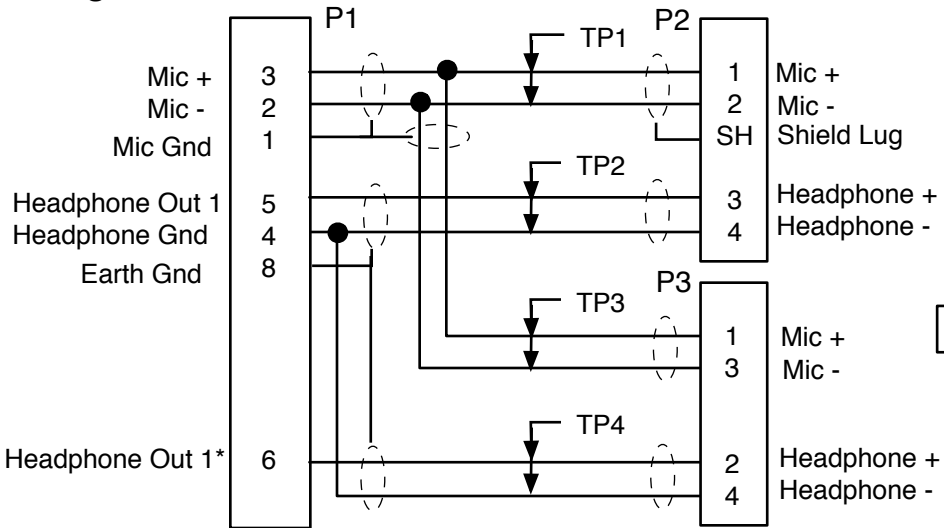
## Parts List:

Item	Qty	Reference	P/N	Mfg	Description	Notes
1	1	P1	XXX-XXXX	XXXXXXX	15-pin Male D-shell	1
2	1	P2	NC4F	Neutrik	4-Pin Female XLR	2
3	1	P3	TJ-101	Nexus	Mil Audio Jack	7
4	AR	-			Audio Cable	3
-	-	-				

## Notes:


- ① Use high quality supplier such as AMP or equivalent.
- ② Use Neutrik connector only (mating connector is Neutrik).  
No Substitutions
- ③ Use low capacitance, shielded, twisted pair, high flex audio cable.
- ④ Cable length "L" defined by length field of part number ordered

## Wiring Information: <sup>⑤</sup>



- ⑤ Wiring and cable layout as shown.
- ⑥ Individually shielded twisted pair configuration as shown.
- ⑦ TJ-101 Mil audio jack. Contact positions as shown.  
Possible sources: Nexus, Astrocom Electronics, Mason Electric

Rev	Date	Originator	Description
-	7-5-04	JPM	Original release
01	8-18-04	JPM	Change connector description
02	4-20-09	CJA	Added Information Table

 ADVANCED SIMULATION TECHNOLOGY inc. 500A Huntmar Park Drive, Herndon, VA 20170 www.asti-usa.com	
Cage Code	OVFW3
Title	Audio Cable IRIS to Headset and Helmet
Dwg #	CA-D15M-Y-X4F-TJ101-L-A_02
Sheet	1 of 1

Industry connector Sub Group	ASTi Part Number Sub Group	Source Device	ASTi Part Number	Current Revision Number	Description & Case Use	Special Notes
DB15	D15*	ACU, ACU2	CA-D15M-Y-X4F-Tj101-L-A	02		