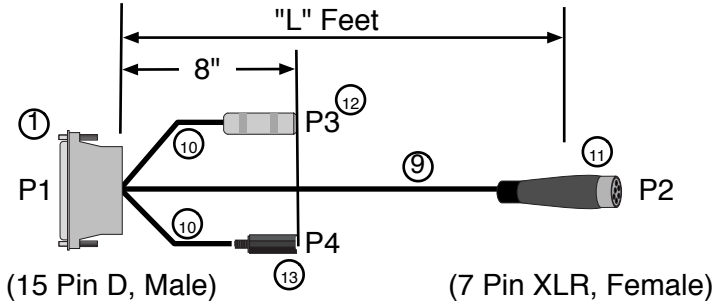
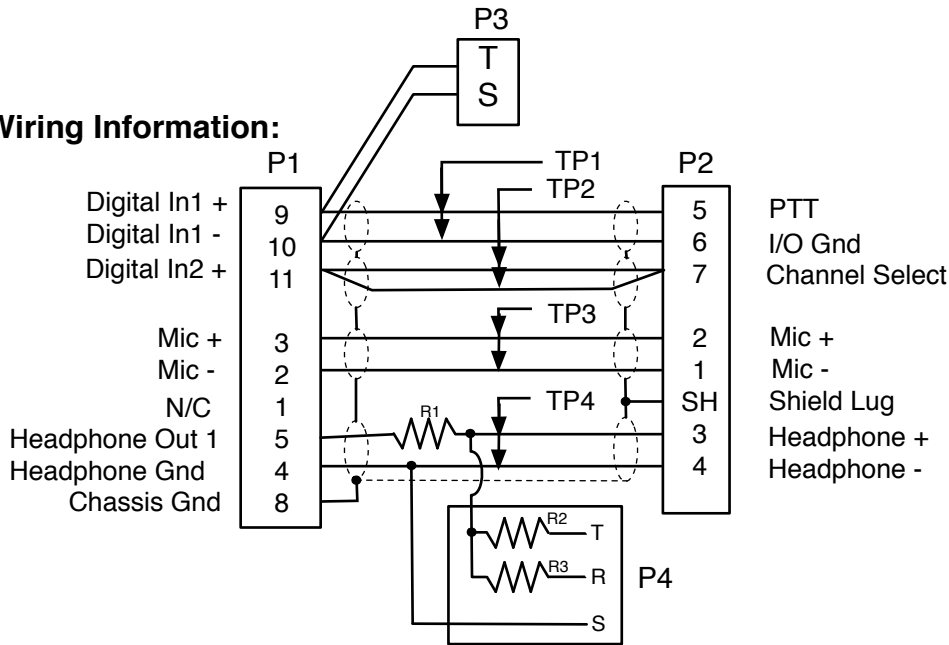


Cable Layout:



CA-D15M-Y-X7F-Q2F-P3F-L-A_02


Wiring Information:



Notes:

1. Use high quality supplier such as AMP or equivalent
2. Cable length "L" defined by length field in part number.
3. Wiring and cable layout as shown
4. Tie ALL shields to Pin-8 at the D15 end.
5. Tie shields at the X7F end as shown
6. Pairs must be connected as shown
7. R1, R2 and R3: 1/8 watt, 150 ohm
8. R2 and R3 may be housed in P2 for ease of wiring.
9. Use Canare MR202-4AT
10. Use Canare L-2E5
11. P2: Switch craft A7F
12. P3: 1/4" female, mono, cable mount jack
13. P4: 3.5mm stereo, cable mount jack

Rev	Date	Originator	Description
01	10-31-07	NAK	Original release
02	4-21-09	CJA	Added Information Table

 ADVANCED SIMULATION TECHNOLOGY inc. 500A Huntmar Park Drive, Herndon, VA 20170 www.asti-usa.com	
Cage Code	OVFW3
Title	Audio Cable IRIS to 4 Channel PTT Unit
Dwg #	CA-D15M-Y-X7F-Q2F-P3F-L-A_02
Sheet	1 of 1

Industry connector Sub Group	ASTi Part Number Sub Group	Source Device	ASTi Part Number	Current Revision Number	Description & Case Use	Special Notes
DB15	D15*	ACU, ACU2	CA-D15M-Y-X7F-Q2M-P3F-L-A	02		