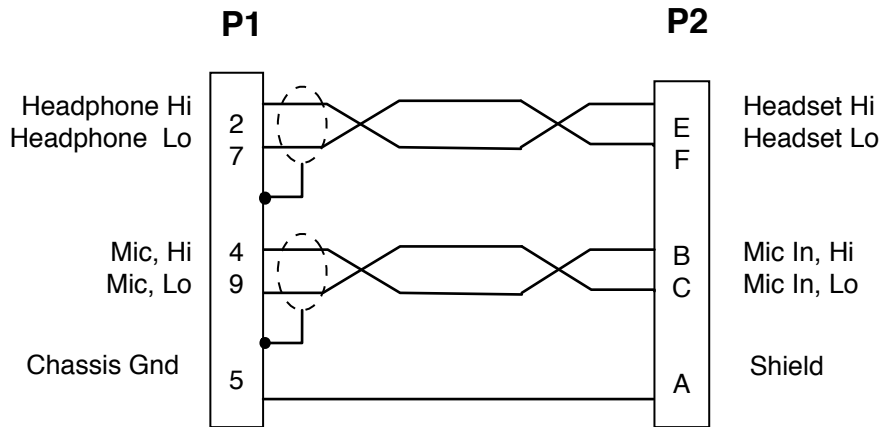
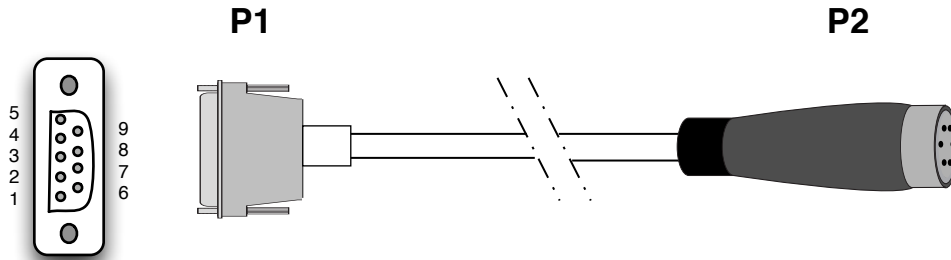


Length in Feet




Pins Not Shown are  
Unused

**Assembly Notes**

- (1) P1: Male, metal, DB-9 connector. Includes metal chrome backshell, and male screwlock assembly.
- (2) P2: Use jam nut receptacle  
- ITT P/N: MS34741W10-6S or equivalent
- (3) Cable: high quality, low capacitance, individually shielded, twisted pair, audio cable.
- (4) Apply shrink tubing if necessary to fill P2 cable entry hole
- (5) Cable Length specified by value of L in P/N. Units are in feet.
- (6) Twisted pair configuration as shown

Rev	Date	Originator	Description
-	10-26-00	DEC	Original Release
02	04-03-09	CJA	Added Information Table

 <b>ADVANCED SIMULATION TECHNOLOGY inc.</b> 441-A Carlisle Drive, Herndon, VA 20170 www.asti-usa.com	
Cage Code	OVPW3
Title	Audio Interface Cable, - RIU to Jam Nut Receptacle
Dwg #	CA-D9M-S16-L-A_02
Sheet	1 of 1

Industry connector Sub Group	ASTi Part Number Sub Group	Source Device	ASTi Part Number	Current Revision Number	Description & Case Use	Special Notes
DB9	D9*	RIU, ACE-RIU	CA-D9M-S16F-ITT-L-A	02		