
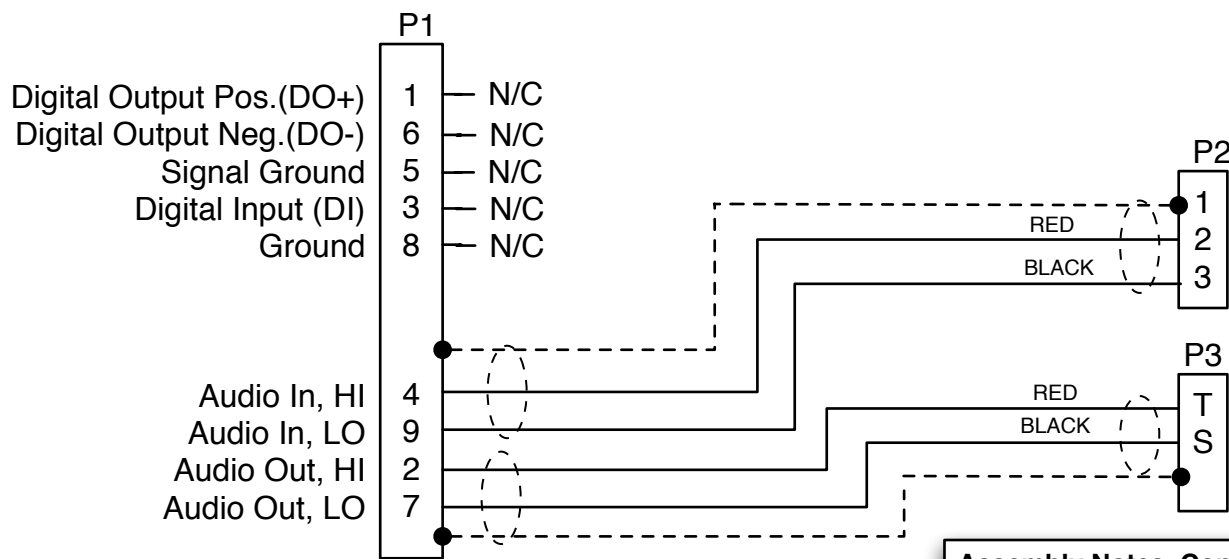


**Assembly Notes:**  
 (1) Remove outside jacket at 5-foot length. Apply 1.5" shrink sleeve as shown. Outside drain wire is not connected at both ends

 <b>ADVANCED SIMULATION TECHNOLOGY inc.</b> 500A Huntmar Park Drive, Herndon, VA 20170 www.asti-usa.com	
Cage Code	OVSFW3
Title	Audio Cable - RIU to Fostex Speaker & Shure Microphone
Dwg #	CA-D9M-Y-X3F-Q2MR-L-A_02
Sheet	1 of 2


<b>Description:</b> P1: DB9 & Metal Backshell P3: 1/4" Phone, Rt Angle P2: XLR / F Audio Cable Cable Ties	Mfr:	Mfr PN:	<b>Notes:</b> Or Equivalent Or Equivalent Accepts small cables (0.1 to 0.2 inch OD) Or Equivalent Or Equivalent
	Switchcraft	226	
	Switchcraft	A3FS	
	Generic	Generic PN	



**Assembly Notes, Cont.**  
 (2) Solder cable shields to metal body of connector P1  
 (3) Solder cable shields of individual pairs to metal body of connector P3 & P4

**NOTES:**  
 (4) Old Part Number: NA  
 (5) Use with RIU V 3.x, Fostex Speaker and Shure Mic  
 (6) Replaces part number LKHD2-XX-CBL1

Rev	Date	Originator	Description
-	11/5/99	CEM	original release
02	4/8/09	CJA	Added information table, converted to graffle

 <b>ADVANCED SIMULATION TECHNOLOGY inc.</b> 500A Huntmar Park Drive, Herndon, VA 20170 www.asti-usa.com	
Cage Code	OVSFW3
Title	Audio Cable - RIU to Fostex Speaker & Shure Microphone
Dwg #	CA-D9M-Y-X3F-Q2MRs-L-A_02
Sheet	2 of 2

Industry connector Sub Group	ASTi Part Number Sub Group	Source Device	ASTi Part Number	Current Revision Number	Description & Case Use	Special Notes
DB9	D9*	RIU, ACE-RIU	CA-D9M-Y-X3F-Q2M-L-A	02		