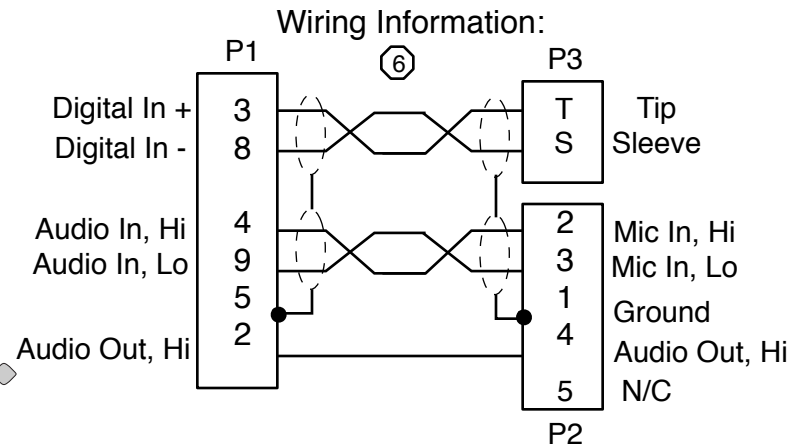
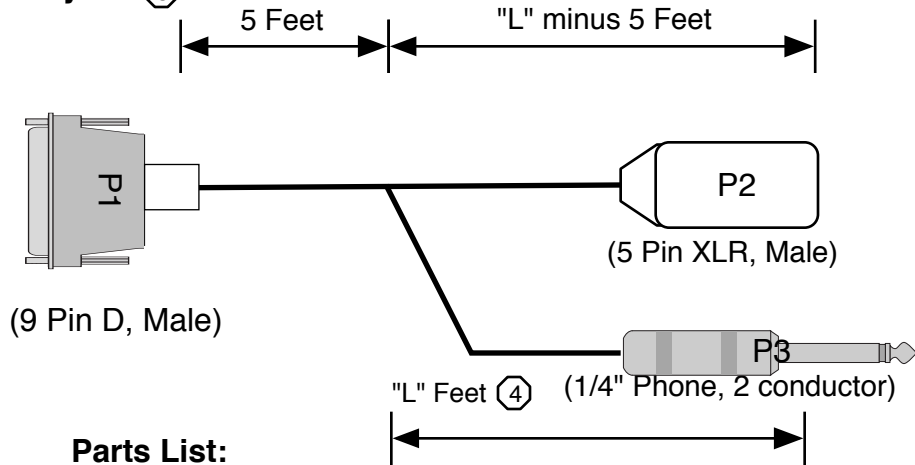


Cable Layout: ⑤




Parts List:

Item	Qty	Reference	P/N	Mfg	Description	Notes
1	1	P1	XXX-XXXX	XXXXXXX	9-pin Male D-shell	1
2	1	P2	XXX-XXXX	Neutrik	5-pin Male XLR	2
3	1	P3	XXX-XXXX	Switchcraft	1/4" 2-conductor phone	7
4	AR	-			Audio Cable	3
-	-	-				

NOTES:

- ① Use high quality supplier such as AMP or equivalent.
- ② Use Neutrik or equivalent. Mating connector is Neutrik.
- ③ Use low capacitance, shielded, twisted pair, high flex audio cable.
- ④ Cable length "L" defined by length field of part number ordered
- ⑤ Wiring as shown in schematic. Please note additional assembly instructions.
- ⑥ Twisted pair configuration as shown.
- ⑦ Switchcraft or equivalent.

Rev	Date	Originator	Description
01	8-8-02	EAA	original release
02	4-8-09	CJA	Added Information Table

 ADVANCED SIMULATION TECHNOLOGY inc. 500A Huntmar Park Drive, Herndon, VA 20170 www.asti-usa.com	
Cage Code	OVFW3
Title	Audio Cable RIU to Footswitch & Headset
Dwg #	CA-D9M-Y-X5M-Q2M-L-A_02
Sheet	1 of 1

Industry connector Sub Group	ASTi Part Number Sub Group	Source Device	ASTi Part Number	Current Revision Number	Description & Case Use	Special Notes
DB9	D9*	RIU, ACE-RIU	CA-D9M-Y-X5M-Q2M-L-A	02		