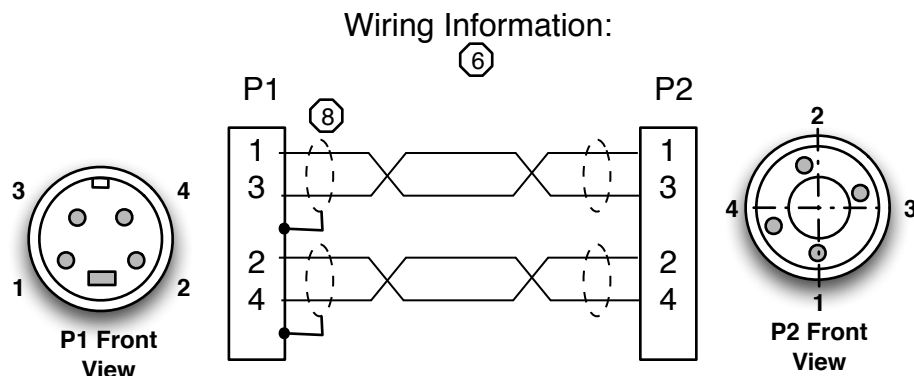
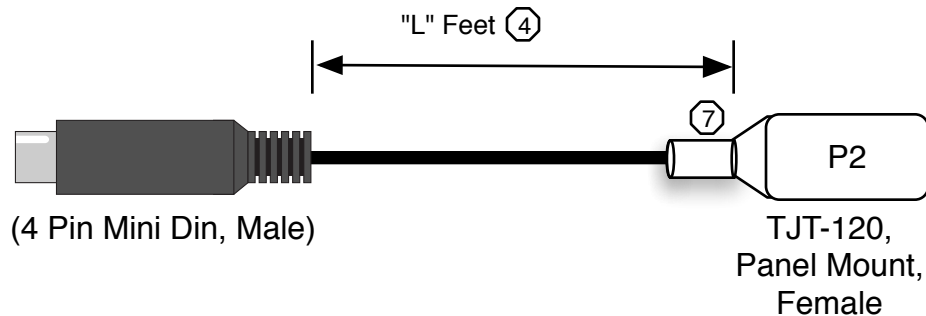


Cable Layout: ⑤




Parts List:

Item	Qty	Reference	P/N	Mfg	Description	Notes
1	1	P1	-	-	Male 4-pin Mini-Din	①
2	1	P2	TJT-120	Nexus, Astrpcom	4 Pin Mil Style. Panel Mount Jack	②
3	AR	-	-	-	High quality, high flex audio cable	③

NOTES:

- ① Typical source Mouser Electronics P/N 171-2604.
- ② Mil Model Number is TJT 120, Equivalent jack may also be used. Suggested sources - Astrocom, Mason Electric, Nexus
- ③ Use low capacitance, shielded, twisted pair, high flex audio cable.
- ④ Cable length "L" defined by length field of part number ordered
- ⑤ Wiring as shown in schematic. Please note additional assembly instructions.
- ⑥ Twisted pair configuration as shown.
- ⑦ Apply sufficient shrink tubing to provide strain relief
- ⑧ Tie shield to mini Din Shell as indicated

Rev	Date	Originator	Description
01	12-2-02	JPM	Preliminary release
02	12-16-04	NAK	Corrected Mini DIN Connector
03	4-6-09	CJA	Added information table

 ADVANCED SIMULATION TECHNOLOGY inc. 500A Huntmar Park Drive, Herndon, VA 20170 www.asti-usa.com	
Cage Code	OVFW3
Title	Audio cable, AIU to TJT120
Dwg #	CA-M4M-TJT120-L-A_03
Sheet	1 of 1

Industry connector Sub Group	ASTi Part Number Sub Group	Source Device	ASTi Part Number	Current Revision Number	Description & Case Use	Special Notes
Mini DIN	M4*		CA-M4M-TJT120-L-A	03		