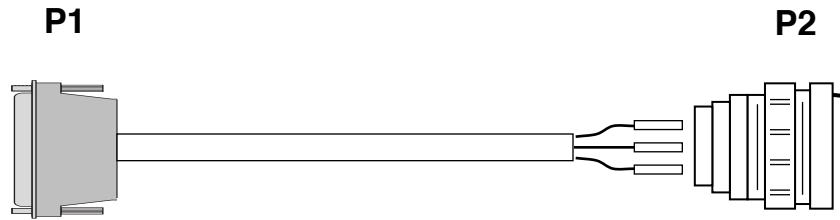


### Cable Layout:

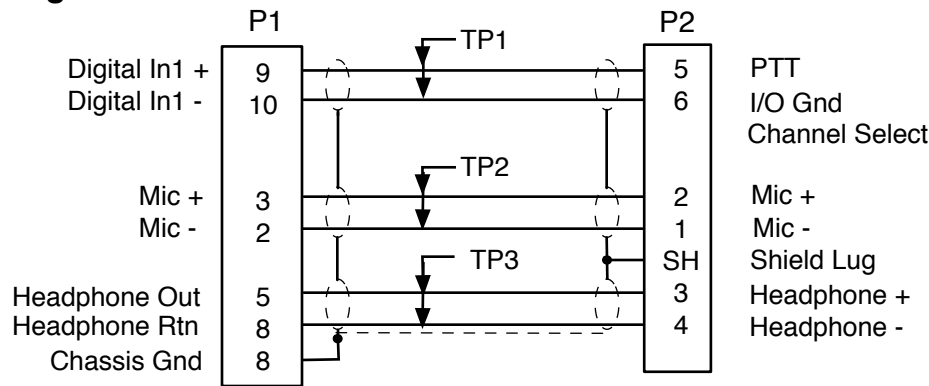
CA-D15M-X6MP-L-B\_02

Length in Feet



Requires 1.25-inch dia. minimum mounting hole. . . . .  
See Switchcraft catalog for mounting details.


### Wiring Information:



### Notes:

1. Use high quality supplier such as AMP or equivalent.
2. Use Switchcraft connector only. No Substitutions. PN#: B6M
3. Use quality low capacitance, high flex audio cable. Canare MR202-4AT audio cable is to be used.
4. Cable length "L" defined by length field of part number ordered
5. Tie ALL shields to Pin 8 at the D15 end. Tie ALL shields to the shield lug at the 6 pin XLR end. Pairs must be connected as shown

Rev	Date	Originator	Description
01	4-18-06	NAK	Original release
02	4-15-09	CJA	Added Information Table

		<b>ADVANCED SIMULATION TECHNOLOGY inc.</b> 500A Huntmar Park Drive, Herndon, VA 20170 <a href="http://www.asti-usa.com">www.asti-usa.com</a>	
Cage Code	OVFW3		
Title	Audio Cable IRIS to 6-pin XLR Panel Mount		
Dwg #	CA-D15M-X6MP-L-B_02		
Sheet	1 of 1		

Industry connector Sub Group	ASTi Part Number Sub Group	Source Device	ASTi Part Number	Current Revision Number	Description & Case Use	Special Notes
DB15	D15*	ACU, ACU2	CA-D15M-X6MP-L-B	02		