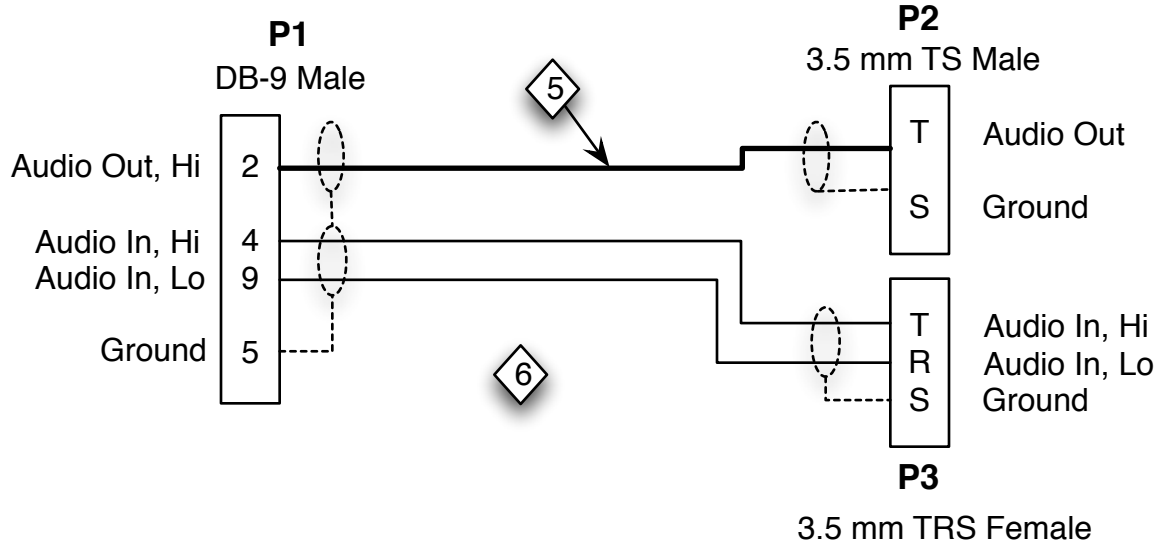



Length in Feet



**Assembly Notes**

- (1) P1: Male, metal, DB-9 connector. Includes metal chrome backshell, strain relief & male screwlock assembly.
- (2) P1: Pins not indicated are unused
- (3) P2: Use 3.5mm, mono, male. Metal shell.
- (4) P3: Use 3.5mm, stereo, female. Metal shell.
- (4) Cable: Low capacitance, shielded cable, **Canare MR202-2AT**
- (5) Use both conductors of the twisted pair for single connection
- (6) Terminate individual shields as indicated
- (7) Apply red braided sleeving from 'Y' split to male connector
- (8) Apply black braided sleeving from 'Y' split to female connector

Rev	Date	Originator	Description
01	05/09/05	NAK	Original Release
02	04/07/09	CJA	Added Information Table

 <b>ADVANCED SIMULATION TECHNOLOGY inc.</b> 500A Huntmar Park Drive, Herndon, VA 20170 <a href="http://www.asti-usa.com">www.asti-usa.com</a>	
Cage Code	OVPW3
Title	Audio Interface Cable: RIU - PC Speaker Out / Mic In
Dwg #	CA-D9M-Y-P3F-P3M-L-A_02
Sheet	1 of 1

Industry connector Sub Group	ASTi Part Number Sub Group	Source Device	ASTi Part Number	Current Revision Number	Description & Case Use	Special Notes
DB9	D9*	RIU, ACE-RIU	CA-D9M-Y-P3F-P3M-L-A	02		