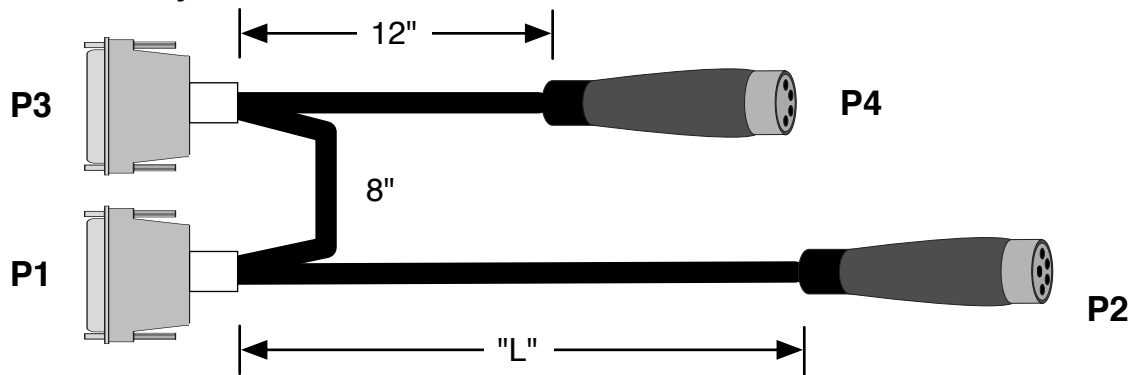


Cable Layout:



CA-X4F-1-D9M-0-7L-D9M-X5F-L-A_02

Length in Feet

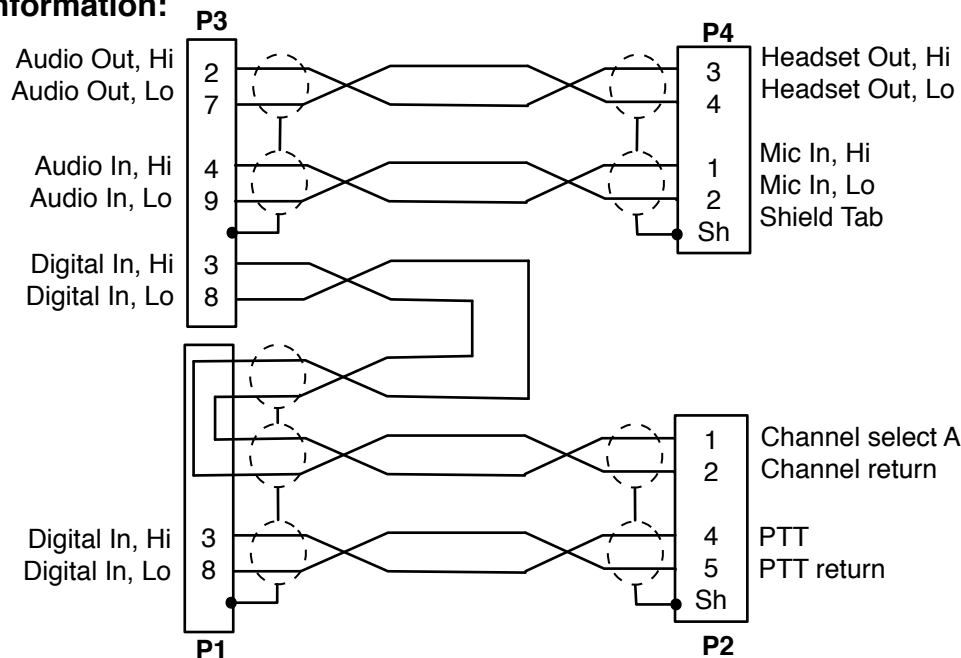
Assembly Notes:

- (1) P1 & P3: Use male, metal DB-9 connector to include backshell and male screwlock assembly.
- (2) P2: Use female, 5pin, In-Line XLR connector. Neutix P/N NC5FX - Substitution allowed with ASTi approval ONLY.
- (3) P4: Use female, 4pin, in-line XLR connector. Neutrix P/N NC4FX - substitution allowed with ASTi approval ONLY
- (4) Use high quality, low capacitance, individually shielded, twisted pair, audio cable.
- (5) Cable length specified by value of L in part number. Units are feet.
- (6) Twisted pair configuration as shown
- (7) Tie and solder all shields to P1 connector case. Attach shields to shield tab on P2. PTT/Digital In pair shield does not require connection. Use chemical abrasion technique as required to ensure good solder bond and conductivity


Notes:

- (8) DB-9 (P1) to 5-pin Female XLR (P2). Connects to PTT/Chan A-B Box PTT_CHN-001-01
- (9) DB-9 (P3) to 4-pin Female XLR (P4). Connects to headset.
- (10) Old Part Number: ACBL-RIUL-CHN-PTT-Y

Wiring Information:



Rev	Date	Originator	Description
-	6-08-99	NKW	Original Release
02	4-09-09	CJA	Added information table, converted to graffle

		ADVANCED SIMULATION TECHNOLOGY inc. 500A Huntmar Park Drive, Herndon, VA 20170 www.asti-usa.com	
Cage Code	OVFW3		
Title	Audio Interface Cable - RIU PTT/Chan A-B box		
Dwg #	CA-X4F-1-D9M-0-7L-D9M-X5F-L-A_02		
Sheet	1 of 1		

Industry connector Sub Group	ASTi Part Number Sub Group	Source Device	ASTi Part Number	Current Revision Number	Description & Case Use	Special Notes
DB9	D9*	RIU, ACE-RIU	CA-X4F-1-D9M-0.7L-D9M-X5F-L-A	02		